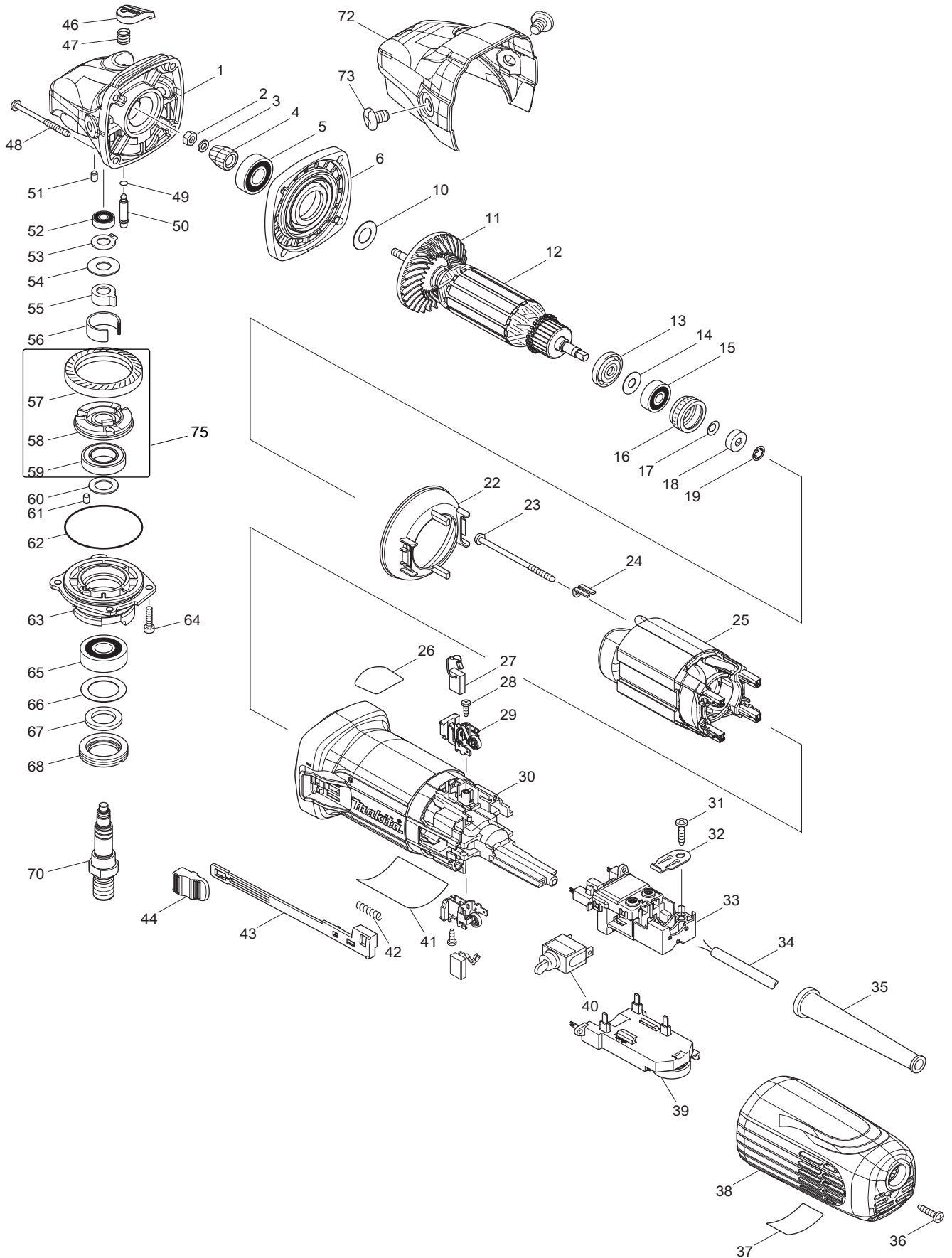




06 - 2013
SA4542C
4-1/2" ANGLE SANDER



Item No.	Type	Sub	Part No.	Description	Qty	Unit
1	1		168705-9	GEAR HOUSING COMPLETE	1	PC.
1	2		319310-7	GEAR HOUSING	1	PC.
2			252137-1	HEX NUT M5-8	1	PC.
3			267034-8	FLAT WASHER 5	1	PC.
4			227595-0	SPIRAL BEVEL GEAR 7	1	PC.
5			211142-7	BALL BEARING 6001LLB	1	PC.
6	1		318835-8	GEAR HOUSING COVER	1	PC.
	2		141981-0	GEAR HOUSING COVER COM.	1	PC.
10			253084-9	FLAT WASHER 12	1	PC.
11			240134-9	FAN 60	1	PC.
12			515381-4	ARMATURE ASSY 115V	1	PC.
		INC.		Item No. 11, 13-15		
13			681656-4	INSULATION WASHER	1	PC.
14			253823-7	FLAT WASHER 7	1	PC.
15			210027-4	BALL BEARING 627DDW	1	PC.
16			421738-8	LABYRINTH RUBBER RING 22	1	PC.
17			267756-0	WAVE WASHER 6	1	PC.
18			688117-5	MAGNET SLEEVE	1	PC.
19			259039-2	SELF LOCK 6	1	PC.
22			453367-9	BAFFLE PLATE	1	PC.
23			266258-3	TAPPING SCREW 4X70	2	PC.
24			344871-8	RETAINER	2	PC.
25			626651-7	FIELD 115V	1	PC.
26			898443-6	LABEL SJS2 MARK, EN	1	PC.
27	1		195396-3	A.C. CARBON BRUSH CB-336 2PC/SET W/ORIGIN	1	SET
	2		196454-8	A.C. CARBON BRUSH CB-340 2PC/SET W/ORIGIN	1	SET
28			266007-8	TAPPING SCREW BIND PT 3X10	2	PC.
29	1		643769-9	* BRUSH HOLDER	2	PC.
	2		643770-4	* BRUSH HOLDER	2	PC.
30			453366-1	MOTOR HOUSING	1	PC.
31			266326-2	TAPPING SCREW 4X18	1	PC.
32			687169-3	STRAIN RELIEF	1	PC.
33			638948-2	SWITCH BLOCK	1	PC.
34			664265-4	CORD W/PLUG 2P-16-2.5M, SJ	1	PC.
35			682566-8	CORD GUARD 10	1	PC.
36			266326-2	TAPPING SCREW 4X18	1	PC.
37			898446-0	INDICATION LABEL	1	PC.
38			141578-5	REAR COVER COMPLETE	1	PC.
		INC.	800C48-8	CAUTION LABEL SP	1	PC.
		INC.	810341-4	CAUTION LABEL EN/FR/SP	1	PC.
39			620130-7	CONTROLLER	1	PC.
40			651418-4	SWITCH, ST115A-40, SINGLE	1	PC.
41			897625-7	NAME PLATE F/SA4542C	1	PC.
42			233071-4	COMPRESSION SPRING 4	1	PC.
43			453847-5	SWITCH LEVER	1	PC.
44			453368-7	SWITCH KNOB	1	PC.
46			453369-5	PIN CAP	1	PC.
47			234057-1	COMPRESSION SPRING 8	1	PC.
48			266361-0	TAPPING SCREW 4X30	4	PC.
49			213032-0	O RING 4	1	PC.
50			256535-1	SHOULDER PIN 6	1	PC.
51			263002-9	RUBBER PIN 4	1	PC.
52			210006-2	BALL BEARING 696ZZ	1	PC.
53			961005-4	RETAINING RING S-9	1	PC.
54			253180-3	FLAT WASHER 10	1	PC.
55	1		310508-9	JOINT SLEEVE	1	PC.
	2		310577-0	JOINT SLEEVE	1	PC.
	3		310683-1	JOINT SLEEVE	1	PC.
56			346556-2	C TYPE PLATE	1	PC.
57			227596-8	SPIRAL BEVEL GEAR 37	1	PC.
58			313228-4	COUPLING	1	PC.
59			210302-8	BALL BEARING 6903ZZ	1	PC.

Item No.	Type	Sub	Part No.	Description	Qty	Unit
60			253744-3	FLAT WASHER 12	1	PC.
61			263002-9	RUBBER PIN 4	1	PC.
62			213641-5	O RING 51	1	PC.
63			318837-4	BEARING BOX	1	PC.
64			265490-6	HEX. SOCKET HEAD BOLT M4X16	4	PC.
65			211129-9	BALL BEARING 6201DDW	1	PC.
66			267279-8	FLAT WASHER 21	1	PC.
67			443124-3	FELT RING 17	1	PC.
68			285854-8	BEARING RETAINER 20-33	1	PC.
70			326131-0	SPINDLE A	1	PC.
72			453378-4	HEAD COVER	1	PC.
73			265083-9	+ FLAT HEAD SCREW M8X11	2	PC.
75			135559-9	COUPLING ASS'Y	1	PC.
76		INC.	892272-9	Item. 57-59		
			892272-9	CLEAR LABEL F/NAME PLATE (Added)	1	PC.
C01			873126-9	CARTON	1	PC.

ACCESSORIES

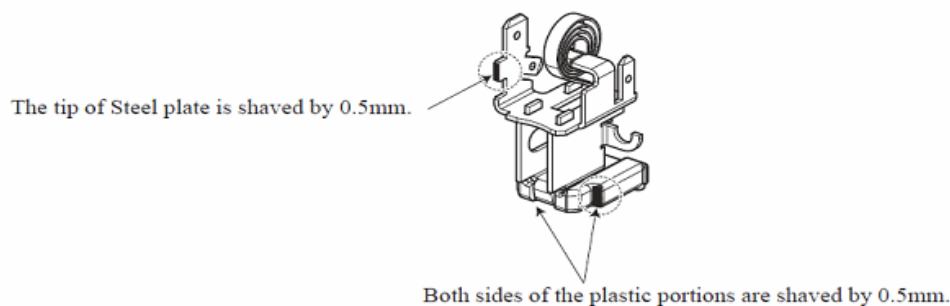
- See Catalogue or visit www.makita.ca for more accessories -

A01			153489-2	GRIP 36 COMPLETE	1	PC.
A02			743062-2	PAD 115	1	PC.
A03			A-80640	4-1/2" DEPRESSED CENTER WHEEL WA36N-BF - BULK	1	PC.
A04			123144-0	4-1/2" TOOLLESS WHEEL COVER ASSY	1	PC.
A05			122910-2	4-1/2" CUT-OFF WHEEL COVER ASSY	1	PC.
A06			194514-0	VIBRATION PROOF GRIP - PKG	1	PC.
A07			195935-9	DUST COVER ATTACHMENT SET	1	PC.
A08			224399-1	INNER FLANGE 45	1	PC.
A09			193048-0	SANDING LOCK NUT 5/8-48	1	PC.
A10			224568-4	LOCK NUT 5/8-45	1	PC.
A11			743036-3	RUBBER PAD 100	1	PC.
A12			782412-6	LOCK NUT WRENCH	1	PC.

SERVICE CHANGES

1. Changes on Brush Holder

Item No.	Description	Type 1	Type 2
29	Brush holder	643769-9	643770-4 (T#A0207)



SERVICE CHANGES

1. Changes on Brush Holder

Item No.	Description	Type 1	Type 2
29	Brush holder	643769-9	643770-4

 (TI#A0207)